

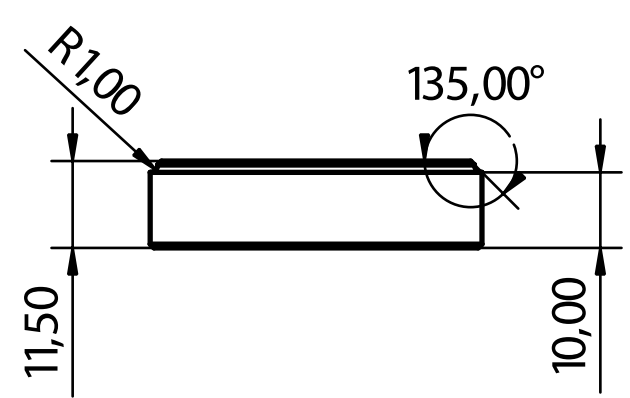
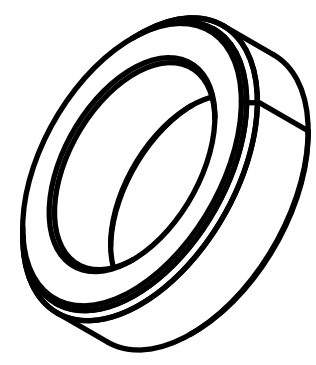
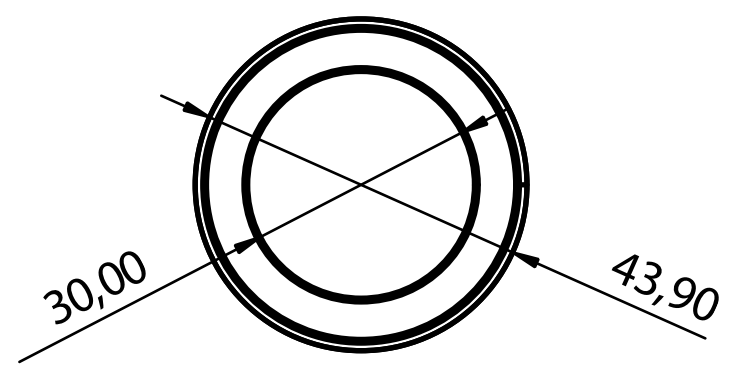
F E D C B A

4

3

2

1



45° phase

DESIGNED BY:		ADVENTUREKLX250.com		G	—
DATE:		Spacer large		F	—
SIZE		A4		E	—
SCALE		1:1		D	—
WEIGHT (kg)	DRAWING NUMBER	SHEET		C	—
This drawing is our property; it can't be reproduced or communicated without our written consent.				B	—
				A	—

F E D

4

3

2

1